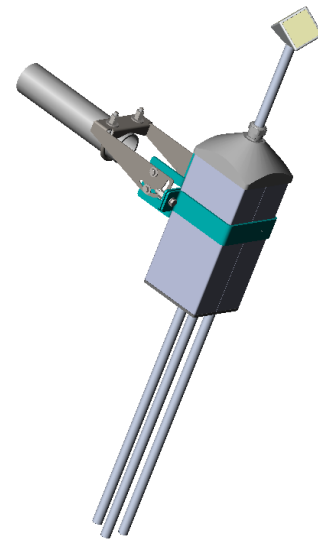


IDS-30

Icing measurement system



During the winter season in higher latitude regions a lot of our infrastructure is affected by icing. Power generation by wind turbines may be impaired under icy condition, leading to reduced power output and longer maintenance times. Reliable ice detection systems help reduce associated costs and down times.

The IDS-30 can measure ice layers from 0.1 mm to 4 mm. By measuring the complex impedance in the vicinity of the sensor, the IDS-30 is able to distinguish between water and ice and capable to record ice accretion rates.

The IDS-30 can measure ice layers from 1 mm to 70 mm. By measuring the complex impedance in the vicinity of the sensor, the IDS-30 is able to distinguish between water and ice and capable to record the total ice load.

The IDS-30 provides a sensor-combination that can measure ice layers from 0.1 mm to 70 mm. By measuring the complex impedance in the vicinity of the sensor, the IDS-30 is able to distinguish between water and ice and capable to record ice accretion rates and total ice load.

Versions

Art	Version
-	IDS-30c for ice layers 0.1 to 4 mm (Cube 5 sensor)
-	IDS-30r for ice layers 1 to 70 mm (Rod-80 sensor)
-	IDS-30cr for ice layers 0.1 to 70 mm (Cube 5 and Rod-80 sensors)

Scope of delivery

Qty	Name
1	IDS-30 in the required version
1	Mounting kit
1	Sensor cable
1	Manual and Commander Software on USB stick

Accessories

Art	Accessories
20557	Heating transformer 230/24V, 160VA, IP00
20519	IDS-20 Main-cable 10 m
21150	USB to RS485 isolated converter cable

Specifications

IDS-sensors	
Sensor type	
Measuring range ice thickness	
IDS-controller	
Power supply	Sensors 10...28 VDC Heating 24 VDC integrated overvoltage protection
Power consumption	Active measurement 50 mA at 12 VDC Heating max. 5A at 24 VDC
Output	RS-485 (Modbus) SDI-12 3x relay output, max. 0.8 A each
Operating temperature	-40...60 °C
Protection rating	IP 66
Lightning protection	Integrated Lightning Protection against indirect Lightning; discharge capacity 0,6 kW Ppp
Size L x W x H	1055 x 133 x 133 mm
Weight	- kg