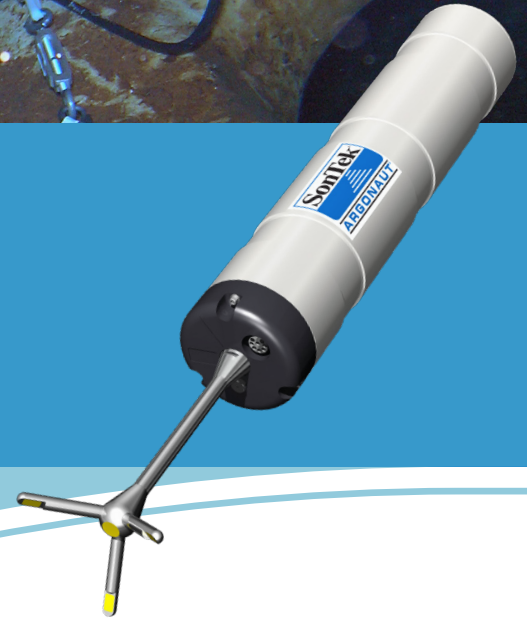


Argonaut-ADV®

ULTRA-PRECISE 3-D VELOCITY MEASUREMENT



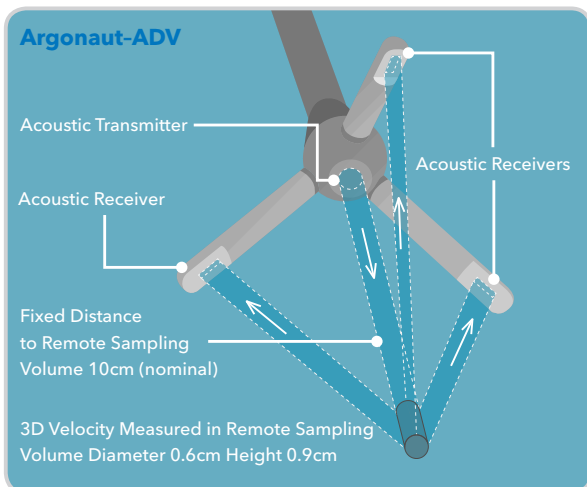
Robust and Always Reliable

The Argonaut-ADV takes SonTek's renowned ADV technology and makes it practical and affordable for deployments in lakes, streams or along the coast. Also, its low velocity/shallow water capability make it the ultimate solution for marsh and wetland studies.

The unique Auto-velocity range scaling feature eliminates the need to pre-set the velocity range - it's all done automatically by the instrument. A built-in recorder, SDI-12 interface, and battery enable you to either deploy the Argonaut-ADV for autonomous operation, or connect it to a data logger for real-time data reporting.

For use in:

- Wetlands & Marshes
- Bedform monitoring
- Shallow streams
- Coastal studies
- Lake studies
- Aquaculture
- Fisheries
- Springs



- ✔ Low velocity with resolution of 0.0001 m/s
- ✔ Shallow water (down to 2-3 cm with 2-D probe option)
- ✔ RS-232 and SDI-12 output standard
- ✔ Auto-velocity range capability
- ✔ Distance-to-boundary monitoring
- ✔ High battery capacity for long deployments



a xylem brand

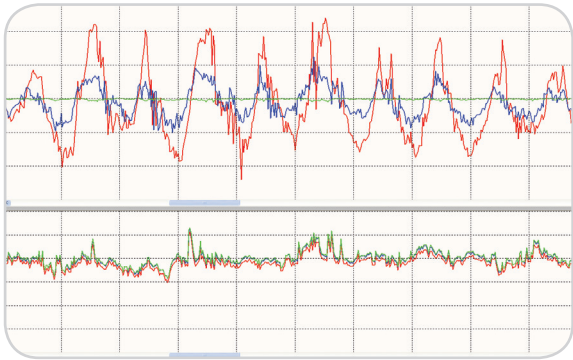
Argonaut-ADV®

Standard Features

- SonTek Auto-velocity range capability
- 3-D down looking probe
- Remote sampling volume of 0.25 cc located 10 cm from center transducer
- Temperature sensor
- Distance to boundary (acoustic altimetry)
- Internal 4 MB recorder
- Internal battery pack
- ViewArgonaut Windows software for data analysis, processing and exporting
- Solid state compass/tilt sensor
- RS-232/SDI-12 output

Optional Features

- 2-D side-looking ADV probe for shallow water (as little as 2-3 cm) deployments
- RS-422 output
- Pressure sensor

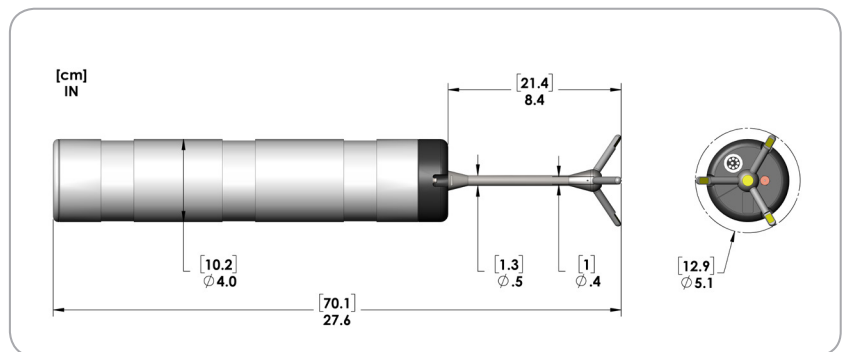


Example of Argonaut-ADV software



2-D side-looking version deployed for marsh study in Louisiana.

Specifications	
Maximum sample rate	1 Hz
Sample volume distance	10cm
Sample volume size	0.25cc
Maximum velocity	4.5 m/s
Acoustic altimetry limit	30cm
Auto-velocity range	Yes
Maximum depth	60m
Available sensor geometries	3D down, 2D side
Stem configuration	15 cm stem
Recorder Size	4MB
Pressure Sensor	Piezoresistive strain gauge (0.1% accuracy)
Operating Temperature	-5 to 40 °C
Storage Temperature	-10 to 50 °C
Temperature Accuracy	+/- 0.1 °C
Temperature Resolution	0.01 °C
Velocity Accuracy	+/- 1% of measured velocity, +/- 0.25cm/s
Velocity Resolution	0.01 cm/s
Compass/Tilt Heading Accuracy	+/- 2°
Compass/Tilt Heading Resolution	0.1°
Compass/Tilt Tilt Accuracy	+/- 1°
Compass/Tilt Tilt Resolution	0.1°
Power Input Voltage	7-15 VDC
Power Consumption	0.2-0.5W
Battery Pack Capacity	200 WH (internal) 500 WH (external)



SonTek, a Xylem brand
 9940 Summers Ridge Road
 San Diego, CA 92121
 Tel +1 858.546.8327 (US)
 inquiry@sontek.com

SonTek, Argonaut, and ADV are trademarks of Xylem or one of its subsidiaries.
 © 2019 Xylem. S11-02 1119



Quick access to the video and training resources you need at sontek.com/videos

sontek.com/argonaut-adv